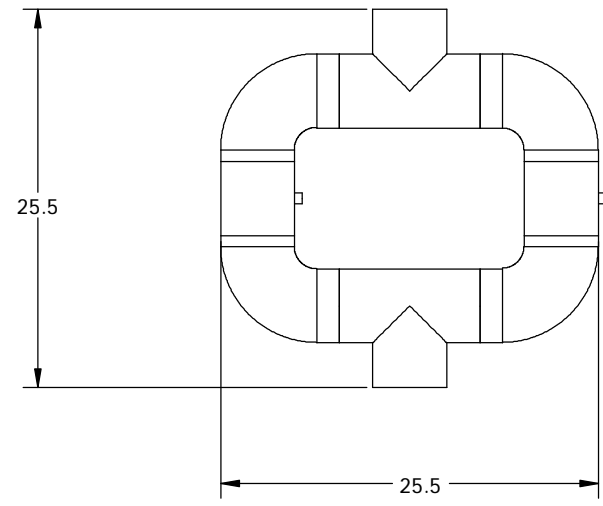
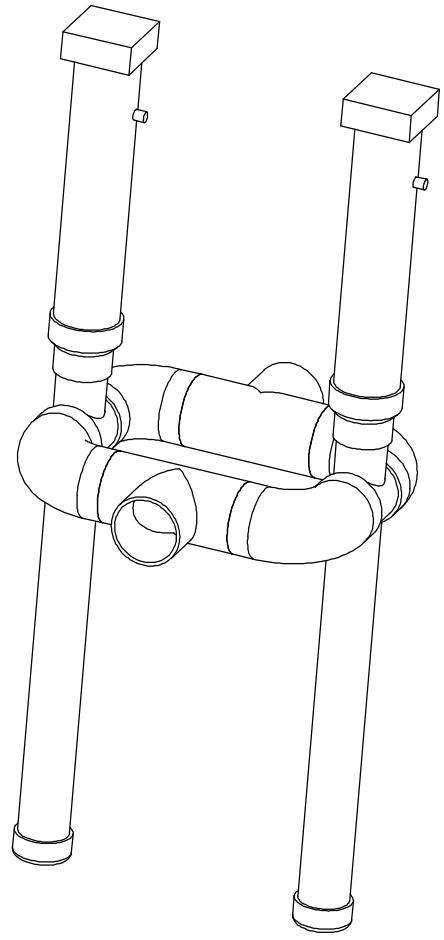


8 7 6 5 4 3 2 1

THE INFORMATION CONTAINED IN THIS DRAWING IS THE SOLE PROPERTY OF SALCOR. ANY REPRODUCTION IN PART OR WHOLE WITHOUT THE WRITTEN PERMISSION OF SALCOR IS PROHIBITED.

REVISIONS			
REV.	DESCRIPTION	DATE	APPROVED



- NOTES (UNLESS OTHERWISE SPECIFIED):
1. PEAK FLOW: 18,000 GALLONS PER DAY
 2. INLET AND OUTLET PORTS 4" SCHEDULE 40 PIPE

UNLESS OTHERWISE SPECIFIED DIMENSIONS ARE IN INCHES TOLERANCES ARE: FRACTIONS DECIMALS ANGLES $\pm 1/64$.XX ± 01 $\pm 1^\circ$.XXX ± 005	CAD GENERATED DRAWING. DO NOT MANUALLY UPDATE.		SALCOR	
	APPROVALS DRAWN: EW	DATE 7/16/05		
	MATERIAL --	CHECKED RESP. ENG.	SIZE DWG. NO. B parallel -2	
	FINISH --	MFG. ENG. QUAL. ENG.		
DO NOT SCALE DRAWING				